

10L LED N2LPS LIGHT-PAK™ Emergency Lighting System

Cl. I, Div. 2, Groups B, C, D
Cl. I, Zone 2
Wet Locations, Marine
NEMA 3, 3R, 4X
Ambient 0°C to 55°C

Applications:

LED N2LPS Light-Pak™ emergency lighting systems are used:

- To provide reliable illumination for egress areas during failure or interruption of power to the normal lighting system
- In areas where flammable gases or vapors may become present due to abnormal, unusual, or accidental conditions
- In manufacturing plants, refineries, petrochemical and chemical plants, waste and sewage treatment facilities, oil terminals, food processing facilities, breweries, and other industrial manufacturing or process industry facilities subject to wet or corrosive conditions
- To illuminate machinery or panels during a loss of AC power
- Where moisture, dirt, dust, or corrosion will limit the life and reliability of ordinary emergency lighting systems
- Where required by the National Electrical Code®, the Life Safety Code® or other applicable codes
- Outdoor applications

Features:

- Compact, factory-assembled luminaire featuring LED lamps for improved lumen performance, on-time, and lamp life
- Nonmetallic, enclosed, and gasketed housing provides corrosion protection in the most extreme environments
- Durable and marine rated LED lamp head assemblies provide protection against water ingress, corrosion, and impact
- High temperature rated nickel cadmium battery for reliable operation up to 55°C ambient
- Solid state battery charger for long life and reliable battery operation prevents deep discharge by automatically disconnecting the battery from the luminaire
- Factory-installed "push-to-test" button
- Self-test, monitoring, and diagnostics reduce costly maintenance checks
- Remote luminaire head assemblies (one or two) are available for mounting of luminaire heads away from main power system
- Stainless steel drain minimizes moisture collection
- Standard battery disconnect switch (Krydon® unit)

Certifications and Complies:

NEC/CEC:

- Class I, Division 2, Groups B, C, D, Zone 2

UL Standards:

- 1598A (Supplemental Requirements for Luminaires for Installation on Marine Vessels)
- 924 (Emergency Lighting and Power Equipment)
- 844 (Electric Luminaires Hazardous Locations)

CSA Standards:

- C22.2 No. 141-M1985 unit equipment for emergency lighting
- C22.2 No. 137-M1981 non-incendive electrical equipment for use in Class I, Division 2 hazardous locations
- Life Safety Code NFPA101® – Section 5-9 (Emergency Lighting)
- Marine wet locations suitability, Type 4X

Standard Materials:

- Power supply and remote luminaire enclosures – Krydon® fiberglass-reinforced polyester
- LED lamp head assembly – epoxy powder coated stainless steel
- Exterior hardware – nylon, plastic coated, and stainless steel
- Cover gasket – Hypalon® synthetic rubber

Temperature Performance Data:

Based on 55°C ambient

Cat. # Class I, Division 2

N2LPS (all) 40°C - T5; 55°C - T4A
N2RF (all) T5

Note: Ambient temperature at which the Light-Pak system is rated is 0°C to 55°C. Operation at temperatures outside this range will affect the battery life and/or charging performance.

Note: Battery time in emergency mode is 90 minutes.

National Electrical Code and **Life Safety Code** are registered trademarks of the National Fire Protection Association, Inc.

Noryl is a registered trademark of General Electric Company.



Electrical Ratings:

- Power supply –
Input: 120, 220, 230, 240, or 277 VAC, 50 or 60 Hz; 28 watts max.
Output: 12 VDC
- Luminaire heads –
Voltage: 12 VDC; Lamp: 3 watt LED
Total lumen output: 80

Unit Net Weights:

- N2LPS12222 – 16 lbs.
- N2LPS12220 – 12 lbs.
- N2RF1221 – 8 lbs.
- N2RF1222 – 9 lbs.

10L

LED N2LPS LIGHT-PAK™ Emergency Lighting System

Cl. I, Div. 2, Groups B, C, D
Cl. I, Zone 2
Wet Locations, Marine
NEMA 3, 3R, 4X
Ambient 0°C to 55°C

10L

Ordering Information:

Description	Cat. #
28 watt, 12 volt power supply assembly with two 3 watt LED lamp heads	N2LPS12222
28 watt, 12 volt stainless steel power supply assembly with two 3 watt LED lamp heads	N2LPS12222 SS
28 watt, 12 volt power supply assembly less luminaire heads	N2LPS12220*
Remote luminaire assembly with one 3 watt LED lamp head	N2RF1221*
Remote luminaire assembly with two 3 watt LED lamp heads	N2RF1222*
28 watt, 120V LED Light-Pak with single sided exit sign**	N2LPS12222/120 EXS DR0391734
28 watt, 277V LED Light-Pak with single sided exit sign**	N2LPS12222/277 EXS DR0391734
28 watt, 120V LED Light-Pak with double sided exit sign**	N2LPS12222/120 EXD DR0391734
28 watt, 277V LED Light-Pak with double sided exit sign**	N2LPS12222/277 EXD DR0391734

*Not cUL approved. UL Listed only.

**Exit sign operates in both normal and emergency mode.

Note: Up to four (4) remote LED lamp assemblies can be connected to the N2LPS12222. Up to six (6) remote LED lamp assemblies can be connected to the N2LPS12220.

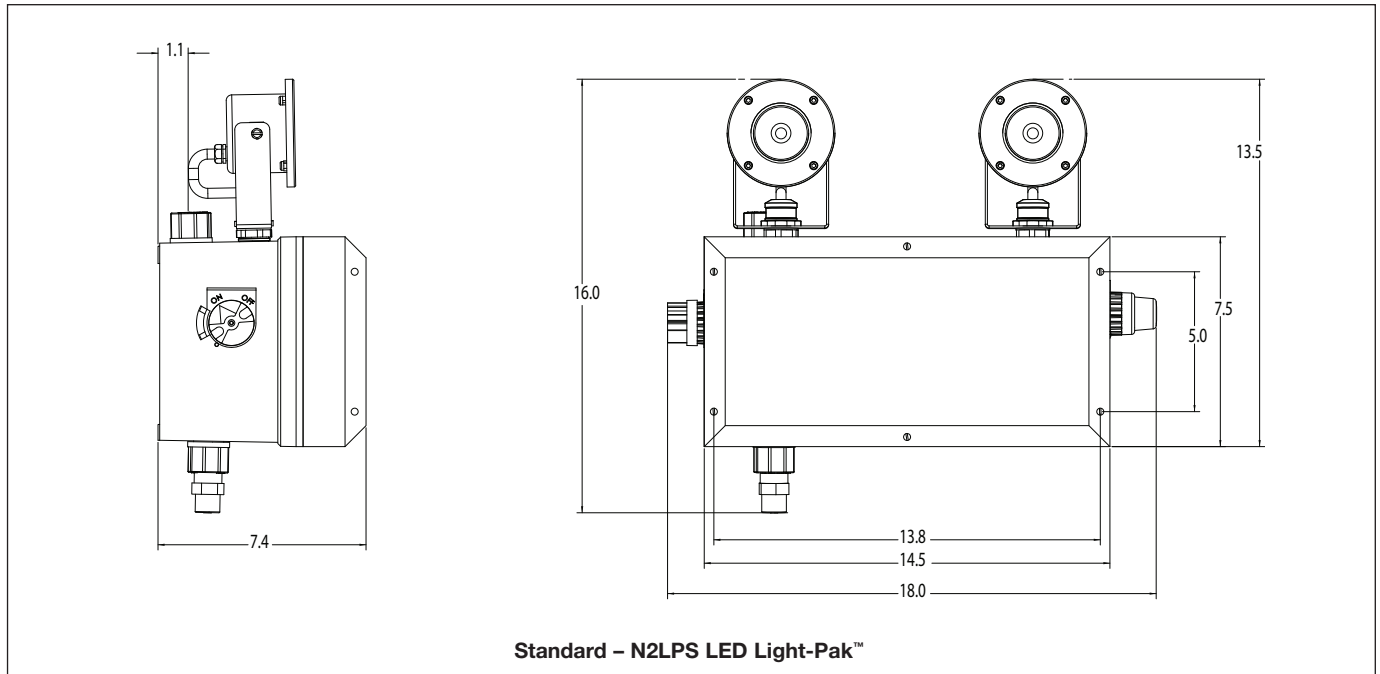
Wire Sizing for Remote Installation: For Copper Wire –

Running Distance† (ft.) Between Power Supply and Remote Luminaire

Wire Size	Load In Watts				Wire Size	Load In Watts			
	8	16	24	32		8	16	24	32
16 AWG	26	13	6	3	10 AWG	106	53	26	13
14 AWG	42	21	10	5	8 AWG	168	84	42	21
12 AWG	66	33	16	8	6 AWG	270	135	67	33

†Maximum distance to limit line voltage drop to 5%.

Dimensions (N2LPS):

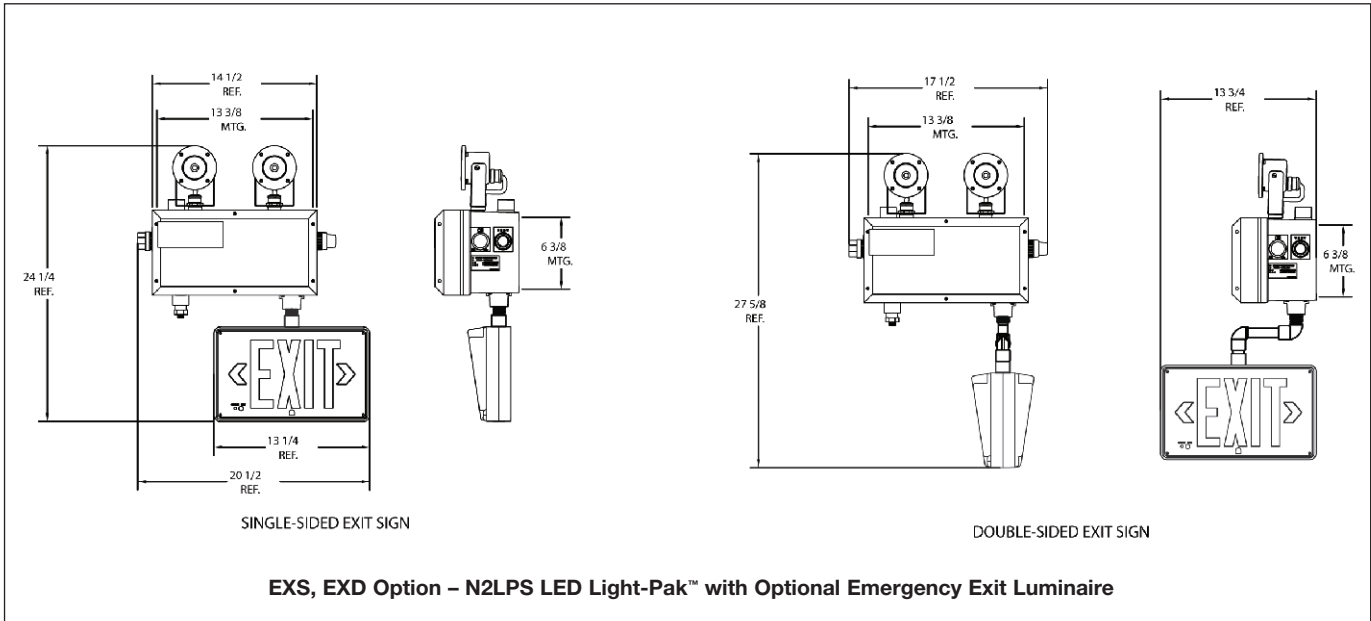


10L

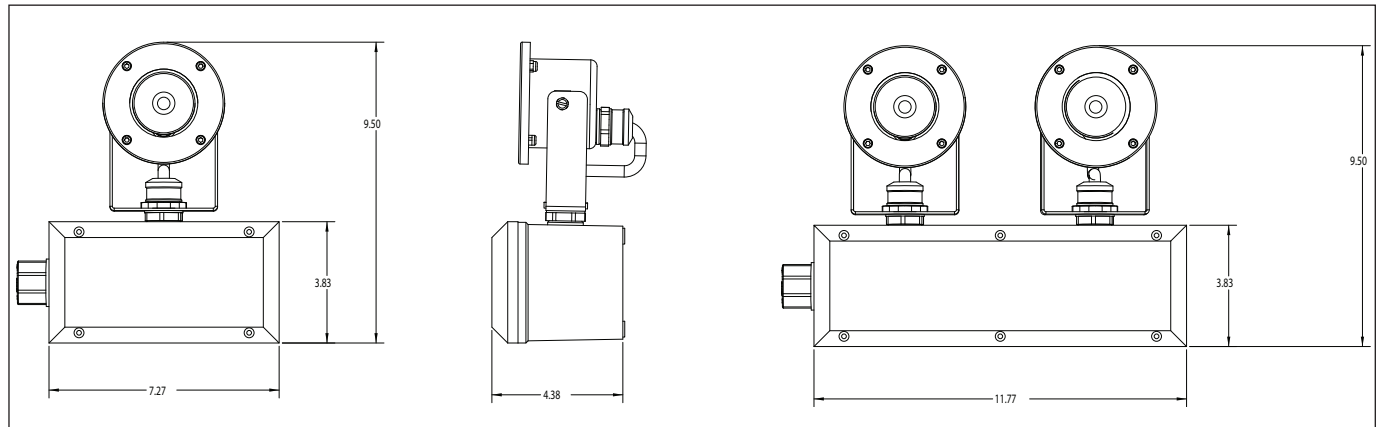
LED N2LPS LIGHT-PAK™ Emergency Lighting System

Cl. I, Div. 2, Groups B, C, D
Cl. I, Zone 2
Wet Locations, Marine
NEMA 3, 3R, 4X
Ambient 0°C to 55°C

Dimensions (N2LPS):



Dimensions (N2RF):



Detail Indication Logic:

Status Indication	Status Description	Status Definition
	No Light	AC Power Removed from Circuit
*	Steady Light (No Blinks)	Fully Charged
_	Light Blinks Once	Battery Charging
_	Light Blinks Twice	Battery Failure
_	Light Blinks Three Times	Circuit Failure

10L